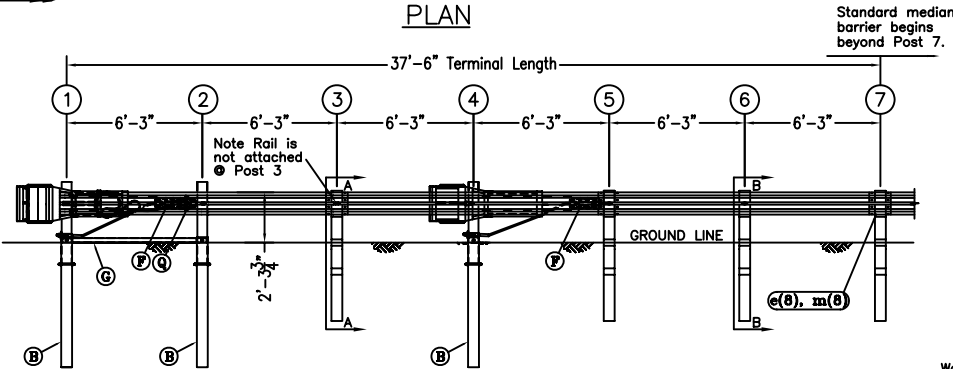
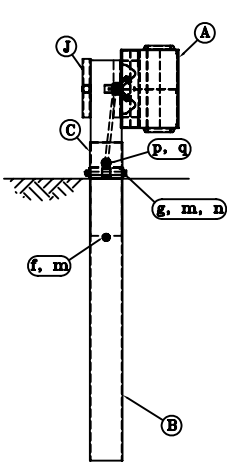


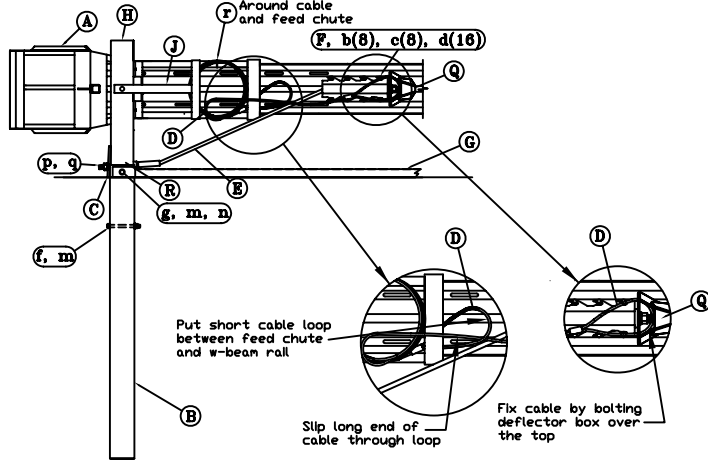
PLAN



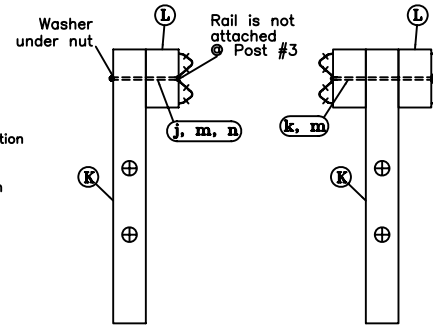
ELEVATION



END VIEW OF POST 1

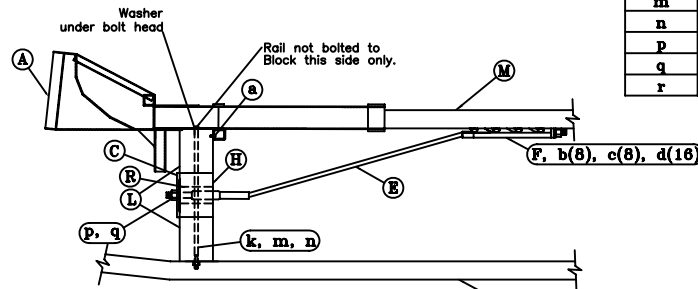


BACK VIEW OF POST 1

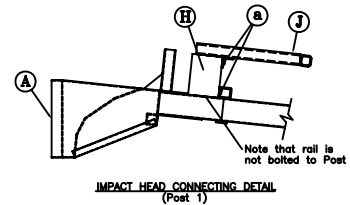


SECTION A-A
(Post 3)

SECTION B-B
(Posts 5-7)



SECOND IMPACT HEAD CONNECTING DETAIL
(Post 4)



IMPACT HEAD CONNECTING DETAIL
(Post 1)

ITEM	QTY	DESCRIPTION	PART #
A	2	FLEAT IMPACT HEAD	F3000
B	3	SOIL TUBE, 6" x 8" x 6'-0"	S730
C	2	BEARING PLATE	E750
D	1	3/8" GALV Cable 20'-0"	C3820
E	2	BCT CABLE ANCHOR ASSEMBLY	E770
F	2	CABLE ANCHOR BOX	S760
G	1	GROUND STRUT	E780
H	3	5.5" x 7.5" x 45" WOOD BCT POST	P650
J	1	POST BREAKER	PBMT
K	4	6" x 8 x 6'-0" WOOD CRT POST	P671
L	9	TIMBER BLOCKOUT OR RECYCLED EQUIV	P675
M	2	W-BEAM END SECTION, 12 GA. 12.5'	SF1303
N	1	W-BEAM SHORT SECTION, 12 GA. 6'-3"	G1201
P	2	W-BEAM GUARDRAIL, 12 GA. 12'-6"	G1203
Q	1	DEFLECTOR BOX	DBMT
R	2	PIPE SLEEVE	E740
HARDWARE			
a	6	3/8" DIA. x 3" LAG SCREW	E350
b	16	CABLE ANCHOR BOX SHOULDER BOLT	SB58A
c	16	1/2" A325 STRUCTURAL NUT	N055A
d	32	1 1/16" OD x 9/16" ID A325 WASHER	W050A
e	40	5/8" DIA. x 1 1/4" SPLICE BOLT	B580122
f	3	5/8" DIA. x 7 1/2" HEX BOLT	B580754
g	3	5/8" DIA. x 10" HEX BOLT	B581004
h	1	5/8" DIA. x 10" H.G.R. BOLT (POST 2)	B581002
j	1	5/8" DIA. x 18" H.G.R. BOLT (POST 3)	B581802
k	4	5/8" DIA. x 25" H.G.R. BOLT (POSTS 4-7)	B582502
m	52	5/8" H.G.R. NUT	N050
n	6	5/8" H.G.R. WASHER	W050
p	4	1" ANCHOR CABLE HEX NUT	N100
q	4	1" ANCHOR CABLE WASHER	W100
r	1	Cable Tie	CT100ST

GENERAL NOTES:

- Breakaway posts are required with the FLEAT-MT.
- All bolts, nuts, cable assemblies, cable anchors and plates shall be galvanized.
- The soil tubes shall not protrude more than 4" above the ground (measured along a 5' cord). Site grading may be necessary to meet this requirement.
- The soil tubes may be driven with an approved driving head. Soil tubes should not be driven with the post in the tube. If the tubes are placed in drilled holes, the backfill material must be satisfactorily compacted to prevent settlement.
- When rock is encountered during excavation, a 12" Dia. post hole, 20" deep may be used if approved by the engineer. Granular material will be placed in the bottom of the hole approx. 2 1/2" deep to provide drainage. The soil tubes will be field cut to length, placed in the hole and backfilled with adequately compacted material excavated from the hole.
- The breakaway cable assembly must be taut. A locking device (vice grips or channel lock pliers) should be used to prevent the cable from twisting when tightening nuts.



Road Systems, Inc.

Big Spring, TX
Phone: 432-263-2435
or Phone: 330-346-0721

Median FLEAT Terminal
Wood Posts

Sheet:

S1

Date:

07/28/11

Drawing Name:

MEDFLT-W

Scale:

NONE

By:

JRR

Rev:

△