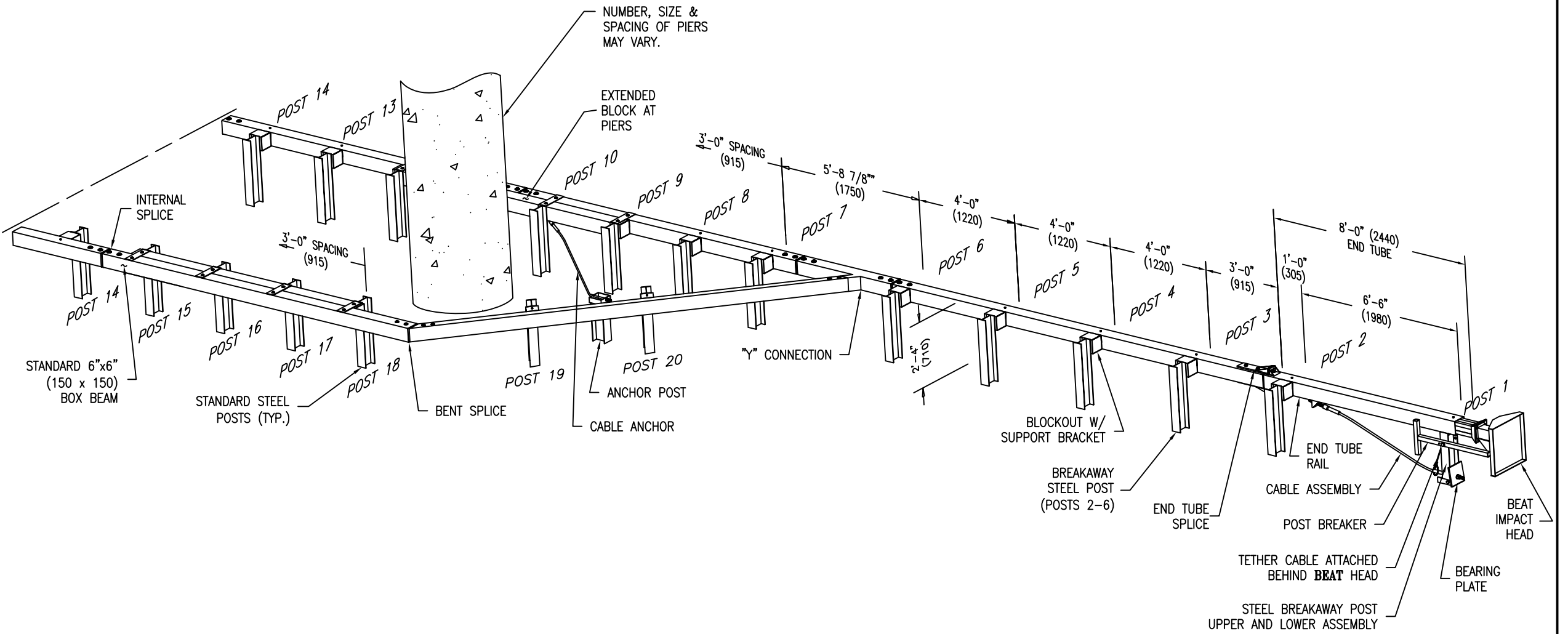


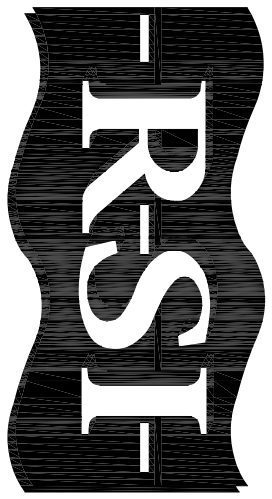
2005

BEAT-BP - BRIDGE PIER



NOTES:

1. NUMBER, SIZE AND SPACING OF PIERS MAY VARY.
2. BEAT-BP SYSTEM SYMETRICAL ABOUT CENTERLINE.
3. MINIMUM CLEAR DISTANCE FROM PIER IS 8".
4. BEAT-BP 2 PIER SYSTEM SHOWN.



Road Systems Inc.

SCI12

SHEET NO.

1 of 2

DATE

8-16-05

