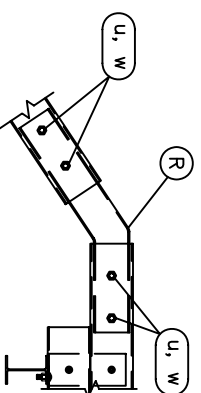
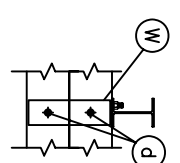


(LOOP CABLE TIES (ITEM Z) THROUGH HOLES IN GUSSET)

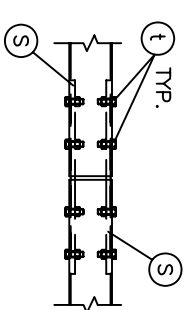
IMPACT HEAD DETAIL
(2 PLACES)



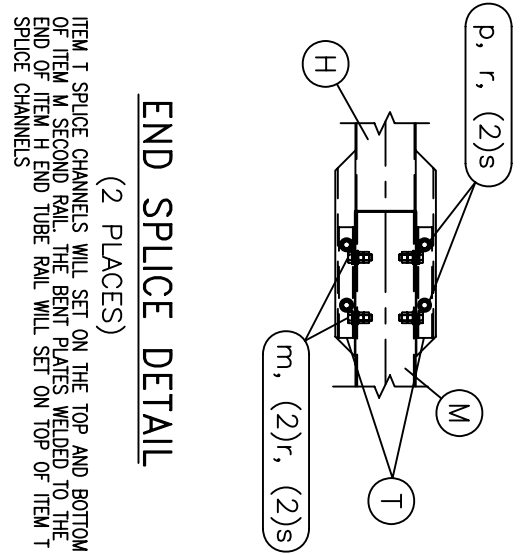
BENT SPLICE DETAIL
(2 PLACES)



TIE PLATE DETAIL
(24 PLACES)

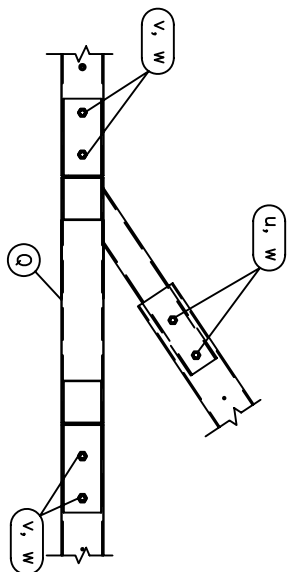


INTERNAL SPLICE DETAIL
(8 PLACES)



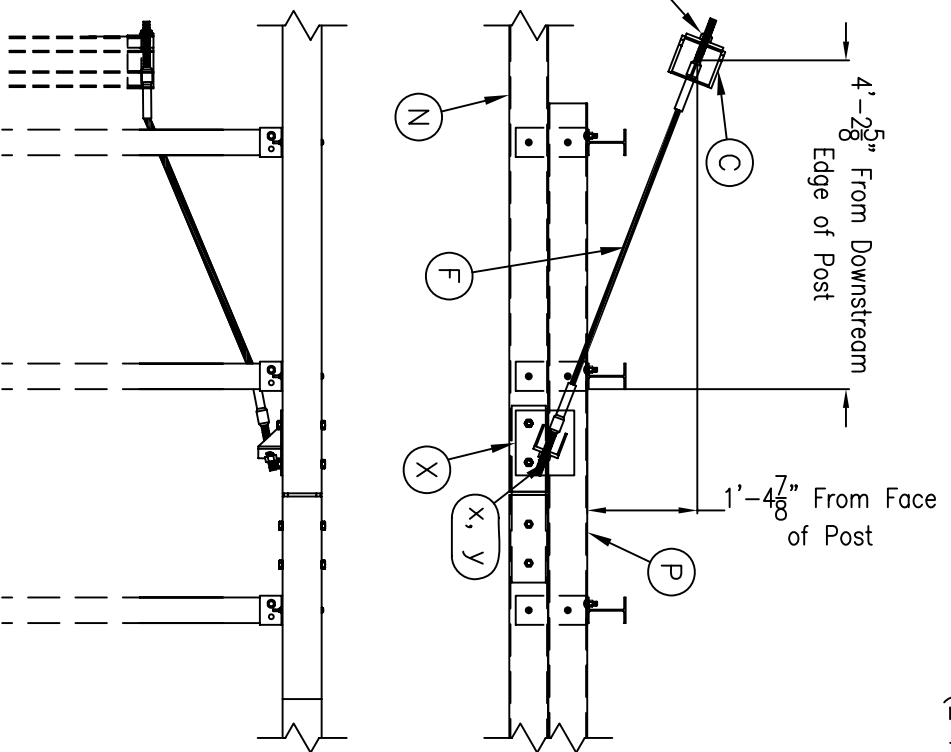
ITEM T SPLICE CHANNELS WILL SET ON THE TOP AND BOTTOM OF ITEM M SECOND RAIL. THE BENT PLATES WELDED TO THE END OF ITEM H END TUBE RAIL WILL SET ON TOP OF ITEM T SPLICE CHANNELS

END SPLICE DETAIL
(2 PLACES)

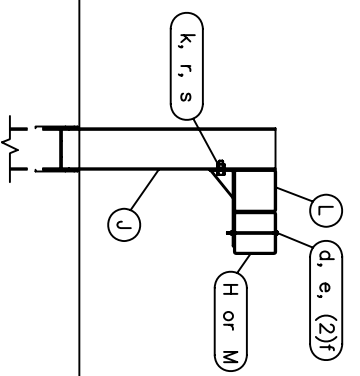


"Y" CONNECTION DETAIL
(2 PLACES)

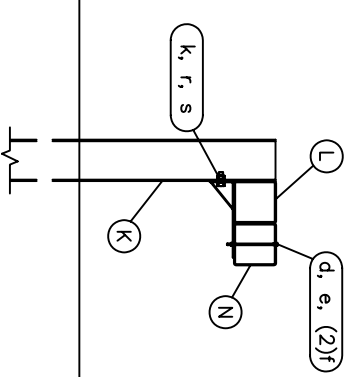
ANCHOR DETAIL
(2 PLACES)



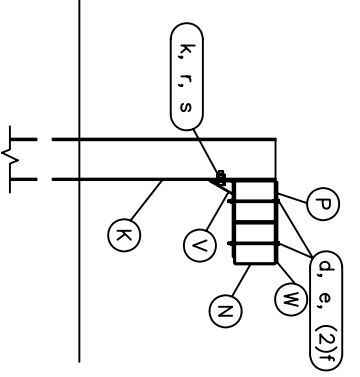
END TERMINAL POSTS
(10 PLACES TOTAL)
POSTS 2 THRU 6



LINE POSTS Without Extended Block (P)
(20 PLACES TOTAL)
POSTS 7, 8, 13-15, 20-22, 27, 28



LINE POSTS With Extended Block (P)
(24 PLACES TOTAL)
POSTS 9-12, 16-19, 23-26



ITEM	QTY	DESCRIPTION
A	2	Box-Beam Impact Head
B	2	Upper End Post W6x9# x 21 1/2"
C	4	Lower End Post W6x15# x 8'-0"
D	2	Support Bracket L 4" x 2" x 4" LG.
E	2	Post Breaker Welded TS 2" x 2" x 1/4"
F	4	Cable Anchor Assembly
G	2	Cable Anchor Bearing Plate
H	2	End Tube Rail 8'-0" LG. x 1/8" THICK
J	10	Steel Breakaway Post W6x9# x 6'-0"
K	44*	Standard Steel Post W6x9# x 6'-0"
L	30*	Support Bracket TS 6" x 6" w/ Bent Pl.
M	2	Second Rail 16'-2 1/2" LG.
N	12*	BP-Rail Section 11' - 11 1/2" LG.
P	6*	Extended Block 10' LG.
Q	2	"Y" Connection
R	2	Bent Splice
S	16*	Box Beam Splice Plates w/Nuts (2 per splice)
T	4	End Section Splice Channel Bent Pl.
U	2	3/8" GALV. Cable 20' LG.
V	24*	Support Bracket
W	24*	Tie Plate
X	2	Anchor Plate
HARDWARE		
Q	2	1/4" x 3" Hex Bolt
b	2	1/4" Hex Nut
c	4	1/4" Washer
d	80*	5/16" x 7 1/2" Hex Bolt Grade 5
e	80*	5/16" Hex Nut
f	160*	5/16" Washer
g	2	1/2" x 2" Hex Bolt Grade 2
h	2	1/2" x 5" Hex Bolt Grade 5
i	4	1/2" Hex Nut
j	4	1/2" Washer
k	54*	5/8" x 1 1/2" Hex Bolt Grade 5
m	8	5/8" x 2 1/2" Hex Bolt Grade 5
n	2	5/8" x 3" Hex Bolt Grade 5
p	8	5/8" x 6" Hex Bolt Grade 5
q	2	5/8" x 8" Hex Bolt Grade 5
r	82*	5/8" Hex Nut
s	90*	5/8" Washer
t	64*	3/4" x 2" Hex Bolt Grade 5
u	12	3/4" x 7" Hex Bolt Grade 5
v	8	3/4" x 8" Hex Bolt Grade 5
w	20	3/4" Hex Nut
x	8	1" Hex Nut Grade 5
y	8	1" Washer Grade 5
z	4	Cable Tie

* QUANTITY VARIES DEPENDING ON PIER SPACING

Road Systems, Inc.
Big Spring, TX
Phone: 432-263-2435
or Phone: 350-346-0721

BEAT BRIDGE PIER
PROTECTION SYSTEM
SYSTEM DETAILS AND
PARTS LIST

Scale: NONE

Date: 05/24/06

By: JRR

Check: