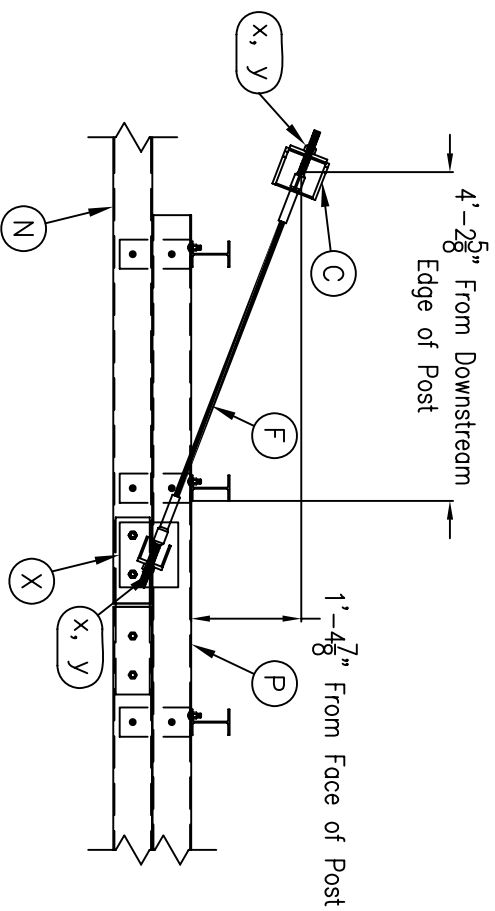
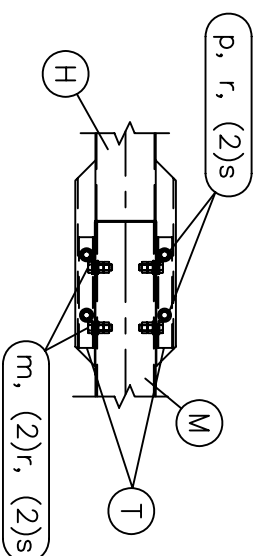
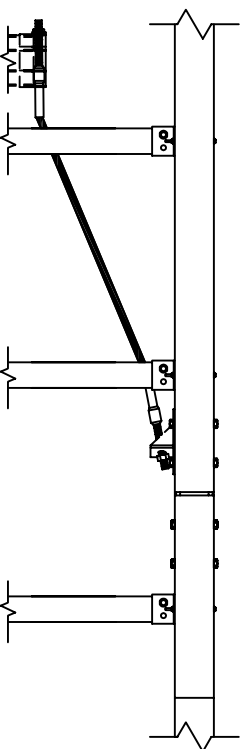


**IMPACT HEAD  
DETAIL**  
(2 PLACES)

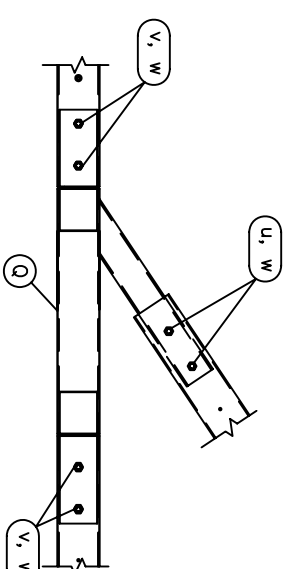


**ANCHOR DETAIL**  
(2 PLACES)

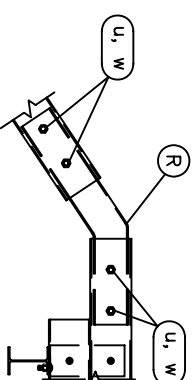


**END SPLICE DETAIL**  
(2 PLACES)

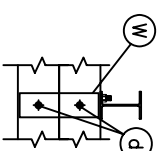
ITEM T SPLICE CHANNELS WILL SET ON THE TOP AND BOTTOM OF ITEM M SECOND RAIL. THE BENT TUBE RAIL WILL SET ON TOP OF ITEM T SPLICE CHANNELS



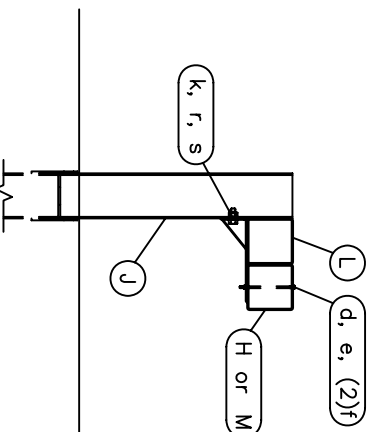
**"Y" CONNECTION DETAIL**  
(2 PLACES)



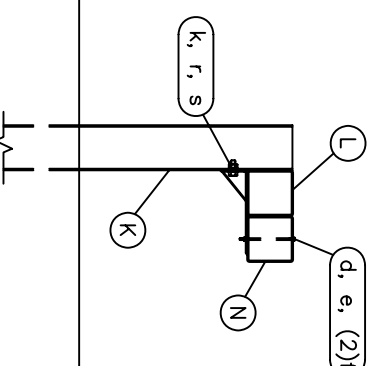
**BENT SPLICE DETAIL**  
(2 PLACES)



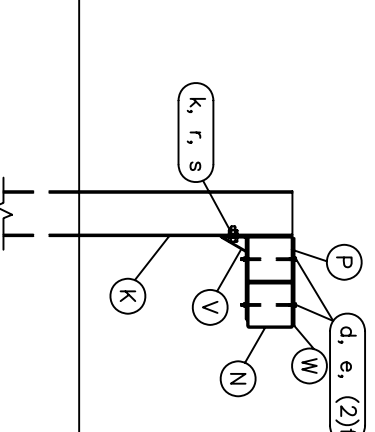
**TIE PLATE DETAIL**  
(8 PLACES)



**POSTS 2 THRU 6**  
(10 PLACES TOTAL)




**POSTS 11, 12**  
(4 PLACES TOTAL)



**POSTS 7 THRU 10**  
(8 PLACES TOTAL)

ITEM	QTY	DESCRIPTION
A	2	Box-Beam Impact Head
B	2	Upper End Post W6x9# x 21 1/2"
C	4	Lower End Post W6x15# x 8'-0"
D	2	Support Bracket L 4" x 2" x 4" LG.
E	2	Post Breaker Welded TS 2" x 2" x 1/4"
F	4	Cable Anchor Assembly
G	2	Cable Anchor Bearing Plate
H	2	End Tube Rail 8'-0" LG. x 1/8" THICK
J	10	Steel Breakaway Post W6x9# x 6'-0"
K	12*	Standard Steel Post W6x9# x 6'-0"
L	14*	Support Bracket TS 6" x 6" w/ Bent Pl.
M	2	Second Rail 16'-2 1/2" LG.
N	4*	BP-Rail Section 11' - 11 1/2" LG.
P	2*	Extended Block 10' LG.
Q	2	"Y" Connection
R	2	Bent Splice
S	0*	Box Beam Splice Plates w/Nuts (2 per splice)
T	4	End Section Splice Channel Bent Pl.
U	2	3/8" GALV. Cable 20' LG.
V	8*	Support Bracket
W	8*	Tie Plate
X	2	Anchor Plate
HARDWARE		
Q	2	1/4" x 3" Hex Bolt
b	2	1/4" Hex Nut
c	4	1/4" Washer
d	32*	5/16" x 7 1/2" Hex Bolt Grade 5
e	32*	5/16" Hex Nut
f	64*	5/16" Washer
g	2	1/2" x 2" Hex Bolt Grade 2
h	2	1/2" x 5" Hex Bolt Grade 5
i	4	1/2" Hex Nut
j	4	1/2" Washer
k	22*	5/8" x 1 1/2" Hex Bolt Grade 5
m	8	5/8" x 2 1/2" Hex Bolt Grade 5
n	2	5/8" x 3" Hex Bolt Grade 5
p	8	5/8" x 6" Hex Bolt Grade 5
q	2	5/8" x 8" Hex Bolt Grade 5
r	50*	5/8" Hex Nut
s	58*	5/8" Washer
t	0*	3/4" x 2" Hex Bolt Grade 5
u	12	3/4" x 7" Hex Bolt Grade 5
v	8	3/4" x 8" Hex Bolt Grade 5
w	20	3/4" Hex Nut
x	8	1" Hex Nut Grade 5
y	8	1" Washer Grade 5
z	4	Cable Tie

\* QUANTITY VARIES DEPENDING ON PIER SPACING



**Road Systems, Inc.**  
Big Spring, TX  
Phone: 432-263-2435  
or Phone: 330-346-0721

BEAT BRIDGE PIER PROTECTION  
SYSTEM  
SYSTEM DETAILS AND PARTS  
LIST

Scale: NONE

Date: 05/24/06

By: JRR

Check: 