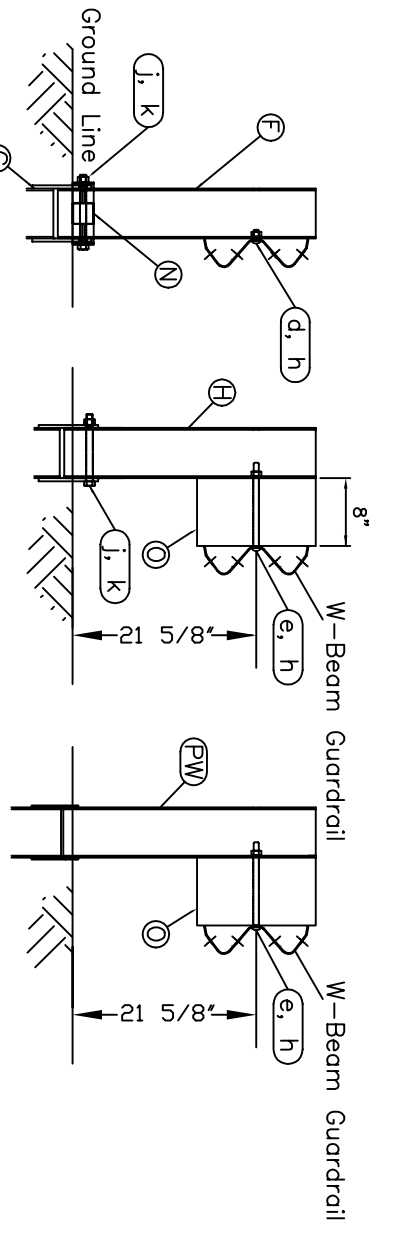


- GENERAL NOTES:**
1. Breakaway posts are required with the SKT.
 2. All bolts, nuts, cable assemblies, cable anchors and bearing plates shall be galvanized.
 3. The SKT can be flared at a rate of up to 25:1 to prevent the impact head from encroaching on the shoulder.
 4. The lower sections of the posts shall not protrude more than 4" above the ground (measured along a 5' cord). Site grading may be necessary to meet this requirement.
 5. The lower section of the hinged posts should not be driven with the upper post attached. If the post is placed in a drilled hole, the backfill material must be satisfactorily compacted to prevent settlement.
 6. When rock is encountered, a 10" Ø post hole, 20" into the rock surface may be used if approved by the engineer. Granular material will be placed in the bottom of the hole, approximately 2.5" deep to provide drainage. Posts 1 & 2 can be field cut to length, placed in the hole and backfilled with adequately compacted material excavated from the hole.
 7. The breakaway cable assembly must be taut. A locking device (vice grips or channel lock pliers) should be used to prevent the cable from twisting when tightening nuts.
 8. A site evaluation should be considered if there is less than 25' between the outlet side of the terminal and any adjacent driving lane.

ITEM QTY	BILL OF MATERIALS	ITEM NO.
A	1 IMPACT HEAD	S3000
B	1 W-BEAM GUARDRAIL END SECTION, 12 Ga.	S1303
C	3 W-BEAM GUARDRAIL, 12 Ga.	G1203
D	1 FIRST POST ASSEMBLY TOP	HP1A
E	1 FIRST POST ASSEMBLY BOTTOM	HP1B
F	1 SECOND POST ASSEMBLY TOP	HP2A
G	1 SECOND POST ASSEMBLY BOTTOM	HP2B
H	6 BREAKAWAY LINE POST TOP	HP3A
J	6 BREAKAWAY LINE POST BOTTOM	HP3B
K	1 BEARING PLATE	E750
L	1 CABLE ANCHOR BOX	S760
M	1 BCT CABLE ANCHOR ASSEMBLY	E770
N	1 GROUND STRUT HINGED POST	S785
O	6 ROUTED TIMBER BLOCKOUT/RECYC. EQUIV. HARDWARE (ALL DIMENSIONS IN INCHES)	P616
a	2 1/4 x 4 HEX BOLT	B140404
b	4 1/4 WASHER	W014
c	2 1/4 HEX NUT	N014
d	25 5/8 Dia. x 1 1/4 SPLICE BOLT, POST #2	B580122
e	6 5/8 Dia. x 10 H.G.R. BOLT (POSTS 3 THRU 8)	B581002
f	1 5/8 Dia. x 9 HEX BOLT GRD 5	B580904A
g	2 5/8 WASHER	W050
h	32 5/8 Dia. H.G.R NUT	N050
j	7 3/4 Dia. x 8 1/2 HEX BOLT GRD A449	B340854A
k	7 3/4 Dia. HEX NUT	N030
l	2 1 ANCHOR CABLE HEX NUT	N100
m	2 1 ANCHOR CABLE WASHER	W100
n	8 CABLE ANCHOR BOX SHOULDER BOLT	SB58A
o	8 1/2 A325 STRUCTURAL NUT	NO55A
p	16 1 1/16 OD x 9/16 ID A325 STR. WASHER	W050A



SECTION A-A Post #2 BOTH
SECTION B-B Posts 3 thru 8 HINGED POST
SECTION B-B Posts 3 thru 8 WELDED POST

Road Systems, Inc.
Big Spring, TX
Phone: 432-263-2435
or Phone: 390-346-0721

Sequential Kinking Terminal SKT Assembly

Steel Post System
Hinged and Welded Options

Sheet: **A1**

Date: **01/11/05**

By: **JRR**

Rev: **0**

Drawing Name: **SKT-S-US**

Scale: **NONE**