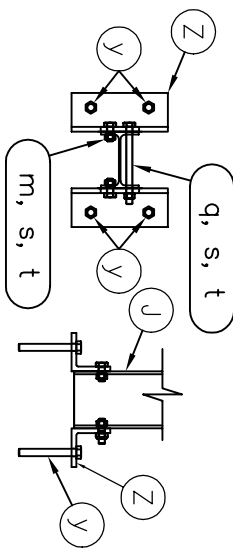
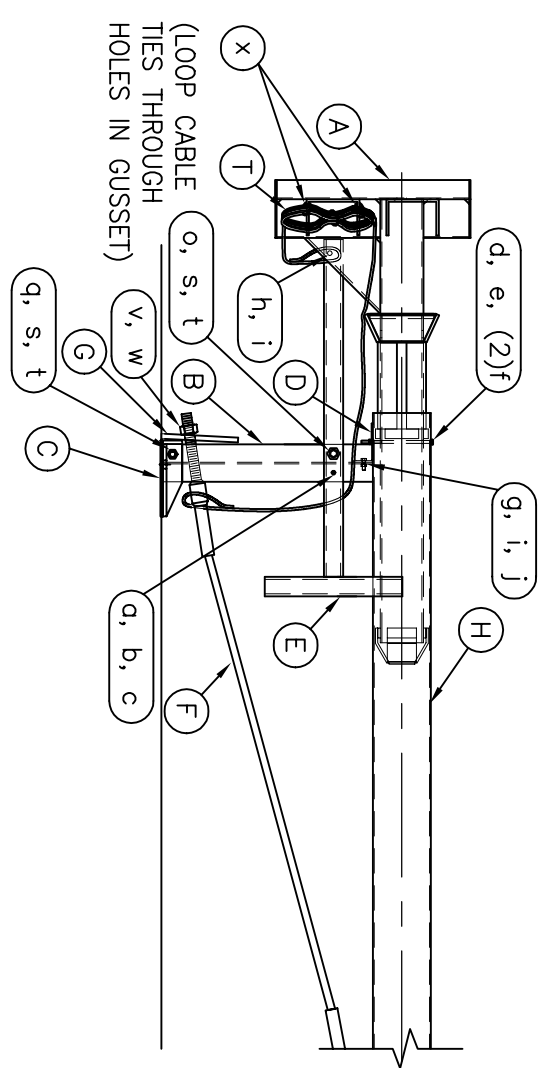


Anchor Post Base Detail

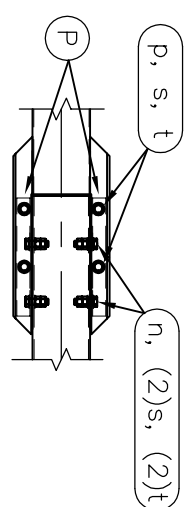


Line Post Base Detail

Note: Bolt q on downstream side of post only.

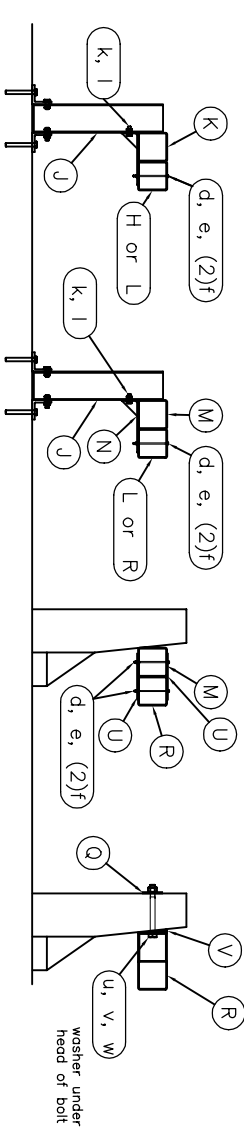


IMPACT HEAD DETAIL



END SPLICE CHANNEL DETAIL

ITEM P SPLICE CHANNELS WILL SET ON THE TOP AND BOTTOM OF ITEM L SECOND RAIL. THE BENT PLATES WELDED TO THE END OF ITEM H END TUBE RAIL WILL SET ON TOP OF ITEM P SPLICE CHANNELS



POSTS 2 THRU 6

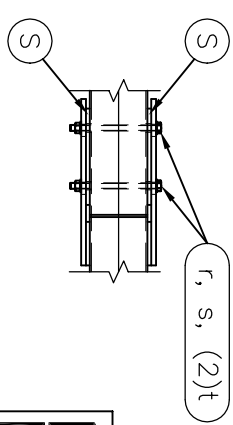
POSTS 7 & 8

SECTION "A-A"


SECTION "B-B"

ITEM	QTY	DESCRIPTION
A	1	Box-Beam Impact Head
B	1	Upper End Post W6x9 x 1'-9 1/2" LG.
C	1	Concrete Base Assembly Post 1
D	1	Support Bracket L4x2 x 4" LG.
E	1	Post Breaker Welded TS2x2x1/4"
F	1	Cable Anchor Assembly
G	1	Cable Anchor Bearing Plate
H	1	End Tube Rail x 8'-0" LG.
J	7	Steel Breakaway Line Post W6x9 x 1'-9 3/4" LG.
K	5	Support Bracket w/ Blockout TS6x6 w/ Bent Pl.
L	1	Second Rail x 16'-2 1/2" LG.
M	1	Transition Blockout x 5'-5 1/2" LG.
N	2	Trans. Support Bracket 3/16" Bent Pl. w/ Gusset
P	2	Bent End Splice - Detail Below
Q	2	1" Square Washer Pl. 4x4x1/4"
R	1	Anchor Rail x 8'-6 13/16" LG.
S	2	Splice Plate 10" x 10" x 3/8"
T	1	3/8" GALV. Cable x 20'-0"
U	6	The Plate Pl. 11 1/2x3 1/2x3/16"
V	1	Spacer (OMIT ON 90° WALL)
Z	14	Concrete Base Angle Bracket Post 2-8
HARDWARE		
d	1	1/4" x 3" Hex Bolt Grade 5
b	1	1/4" Hex Nut
c	1	1/4" Washer
d	14	5/16" x 7 1/2" Hex Bolt Grade 5
e	14	5/16" Hex Nut
f	28	5/16" Washer
g	1	1/2" x 2" Hex Bolt Grade 5
h	1	1/2" x 5" Hex Bolt Grade 5
i	2	1/2" Hex Nut
j	1	1/2" Washer
k	7	5/8" x 1 1/2" Guardrail Bolt
l	7	5/8" Recess Nut
m	14	5/8" x 2" Hex Bolt Grade 5
n	4	5/8" x 2 1/2" Hex Bolt Grade 5
o	4	5/8" x 3" Hex Bolt Grade 5
p	4	5/8" x 6" Hex Bolt Grade 5
q	8	5/8" x 8" Hex Bolt Grade 5
r	4	5/8" x 9" Hex Bolt Grade 5
s	39	5/8" Hex Nut
t	43	5/8" Washer
u	2	1" x 10" Hex Bolt Grade 5 (Length Varies w/ Wall Sect.)
v	4	1" Hex Nut Grade 5
w	4	1" Washer Grade 5
x	2	Cable Tie
y	31	3/4"x6" Grade 5 Anchor (20 kip capacity)

- General Notes for the BEAT-SSCC-SM:
- 1.) Unless otherwise noted, all hardware, cable assemblies, tubing, posts, impact heads and other steel components shall be galvanized.
 - 2.) The breakaway cable assembly must be taut. A locking device (vice grips or channel locks) should be used to prevent the cable from twisting when tightening nuts.
 - 3.) An object marker meeting State specifications should be installed on the front of the impact head.
 - 4.) The approach area in front of the BEAT-SSCC-SM and the area within the system itself shall be free of fixed obstacles and have a fill slope or a cut slope of 10:1 or flatter.



SPLICE PLATE DETAIL



Road Systems, Inc.
Big Spring, TX
Phone: 432-263-2435
or Phone: 390-346-0721

BEAT-SSCC
Single Sided Crash Cushion
Surface Mounted
Assembly Drawing

Sheet: **A1**
Date: 02\06\04
By: JRR
Rev: 